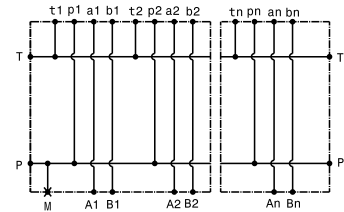
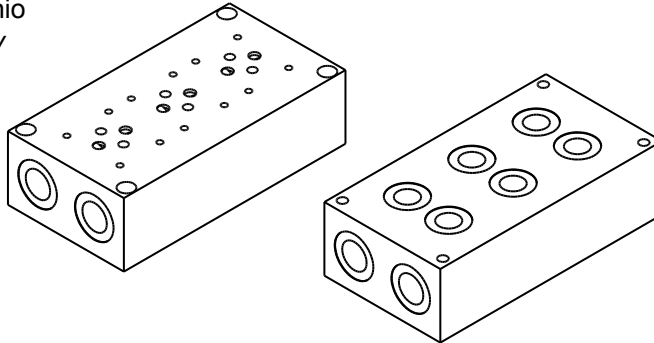


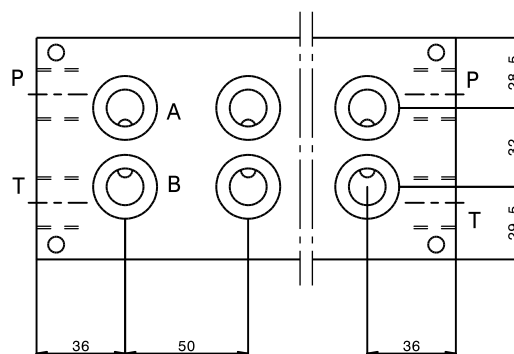
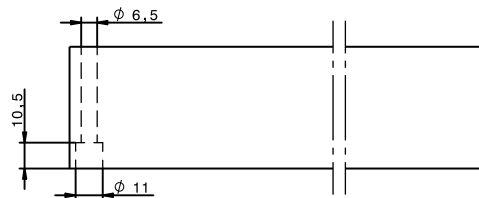
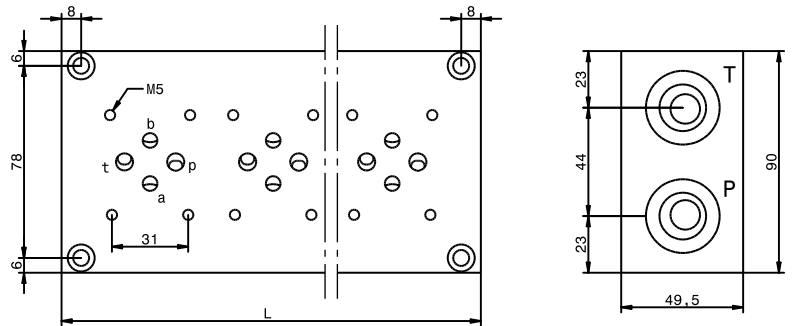
Base monoblocco – luce 6
Manifold plate – NG6
mod. **BEC3-n**

Corpo in alluminio
Aluminium Body



Portata massima Max flow	40 l/min 10.5 gpm
Pressione massima Max pressure	280 bar 4000 psi

Modello Type	P,T	A,B	L
BEC3-2	1/2" GAS	3/8" GAS	122
BEC3-3	1/2" GAS	3/8" GAS	172
BEC3-4	1/2" GAS	3/8" GAS	222
BEC3-5	1/2" GAS	3/8" GAS	272
BEC3-6	1/2" GAS	3/8" GAS	322
BEC3-7	1/2" GAS	3/8" GAS	372
BEC3-8	1/2" GAS	3/8" GAS	422



Dati e tarature ottenuti usando olio con viscosità 30 cSt a 50°C
Performances and calibrations are carried out by using hydraulic oil with 30 cSt viscosity at 50°C

Viscosità consigliate Recommended viscosity	10 ÷ 420 cSt
Temperature di lavoro Working temperature	-20 ÷ +90 °C
Filtrazione assoluta Absolute filtration	25 µ

Sigla di ordinazione / Ordering code

BEC3-3

Modello
Type

I dati non sono impegnativi, **CBF** si riserva di apportare modifiche senza preavviso.
The specifications are not binding, **CBF** reserves the right to introduce modifications without notice.